



Kitchen - Tara Classic  
Single-lever mixer - platinum matte  
Article number: 33 815 888-06 0010



- 9-1/4" Projection
- Swiveling spout 360°
- Areated stream
- Total height 15-3/4"
- Height to aerator/spout outlet 9"
- 1-3/8" hole diameter
- 2x 3/8" US flexible supply lines
- Water flow rate limited to max. 1.5 gpm
- lead-free

#### Codes & Standards

- NSF/ANSI 372
- California Energy Commission (CEC)
- ASME A112.18.1/CSA B125.1
- NSF/ANSI/CAN 61
- ADA

- (ADA)
- Combination with side spray set or profi side spray set not possible.

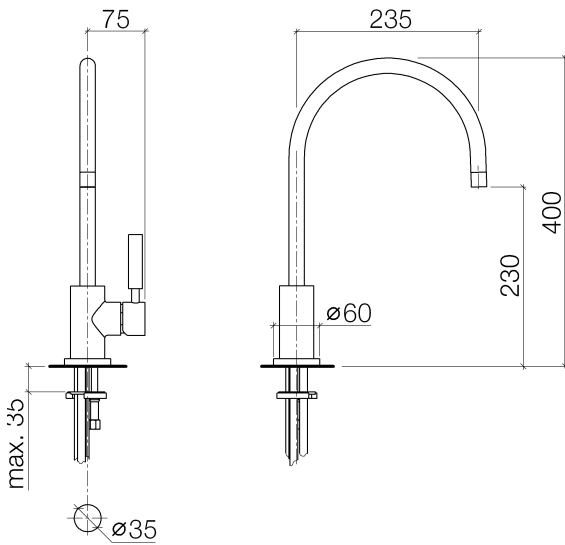


platinum matte



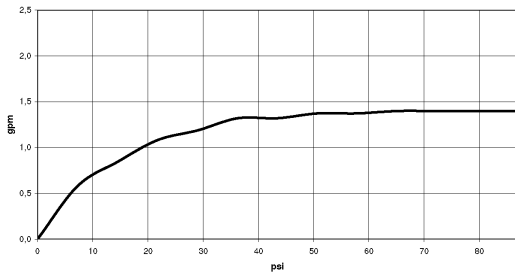
Kitchen - Tara Classic  
Single-lever mixer - platinum matte  
Article number: 33 815 888-06 0010

### Dimensional drawing



All dimensions in mm / inch = mm x 0,0394

### Flow rate chart





Kitchen - Tara Classic  
 Single-lever mixer - platinum matte  
 Article number: 33 815 888-06 0010

### Other surface finishes



polished chrome  
 33 815 888-00 0010



platinum  
 33 815 888-08 0010



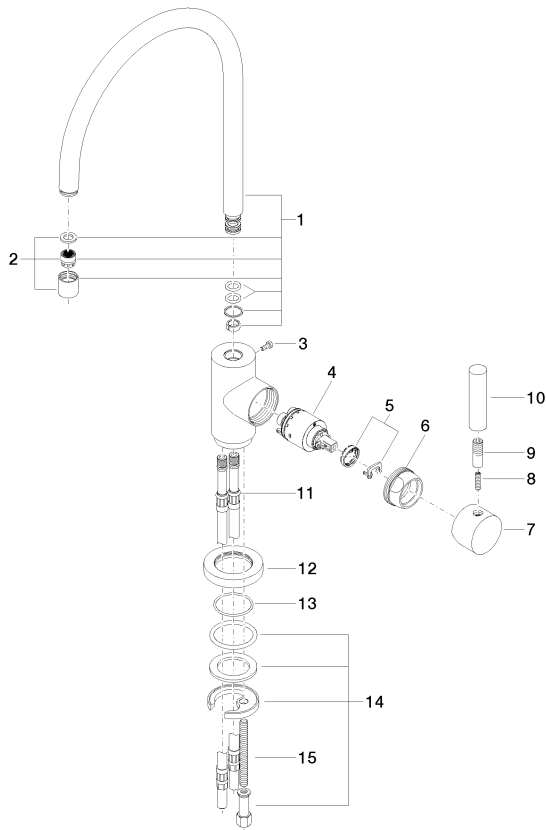
Brushed Durabronz  
 33 815 888-28 0010



Dark Platinum matte  
 33 815 888-99 0010

More custom finish options are available via special production (xTra Service). Please see our finish matrix for availability and pricing or contact a Dornbracht representative.

### Spare parts list



Number	Item Number	Designation	Number of units
1	90 28 22 049 03-06	spout	1
2	90 23 01 028 00-06	aerator	1
3	09 30 30 054 90	screw	1
4	90 15 05 063 00 90	cartridge	1
5	04 28 10 148 00 90	accessories	1
6	09 24 04 107-06	nut	1
7	90 20 88 040 00-06	handle	1
8	09 31 11 010 90	pin	1
9	09 24 04 048-06	nipple	1
10	11 170 880-06	handle	1
11	04 30 04 044 00 90	hose	2
12	09 28 10 055-06	rosette	1
13	09 14 10 034 90	seal	1
14	04 30 11 038 00 90	fixing set	1
15	09 31 11 011 90	pin	1